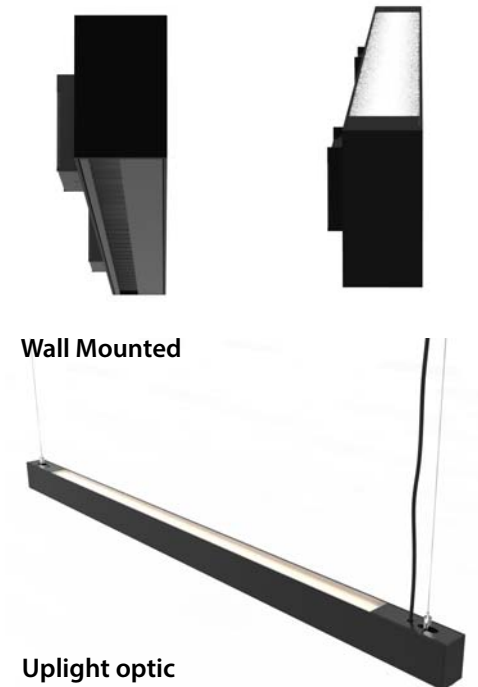
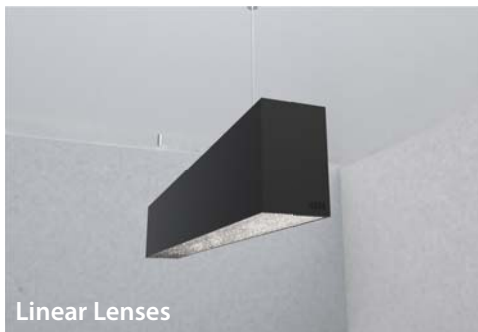


H6 LIGHTWAY - PENDANT- WALL MOUNTED

| Product Code | | | | | | | | | | | | | | | | |
|--------------|-------------|----------|-------|------|-----|--------|--------------|-------------------------|-----------|-------------|--------|--------|--------|---|---|---|
| H6 | I | PB | | | | | | | | | I | | | | | |
| Series | Environment | Mounting | Optic | Beam | CCT | Output | Control Gear | Indirect Optic / Output | Emergency | Body finish | Layout | Length | Wiring | | | |
| H6 | I | PB WB | AO | 00 | 827 | L2 | P | O1 | N | BS | I | 12 | I | | | |
| | | | AD | 16 | 830 | L3 | Q | O2 | | | | 24 | | B | | |
| | | | AL | 30 | 840 | L4 | R | O3 | | | | 36 | | | M | |
| | | | GL | 45 | 927 | L5 | S | B1 | | | | 48 | | | | E |
| | | | AB | E2 | 930 | T1 | T | B2 | | | | 60 | | | | |
| | | | AW | | 8WD | T2 | | B3 | | | | C00 | | | | |
| | | | AG | | 9TW | T3 | | | | | | | | | | |
| | | | | | | P1 | | | | | | | | | | |
| | | | | | | P2 | | | | | | | | | | |
| | | | | | | P3 | | | | | | | | | | |

H6 Lightway is a highly versatile Direct / Indirect profile that offers a high output luminous flux with a wide range of optical permutations. It uses the same high performance optics available in the L6 Lightway, covering a wide range of applications. The opal diffuser offers powerful lighting and excellent light transmission with high diffusion. The diamond-like prism lens provides a high efficiency solution for ambient lighting with great glare reduction and superior vertical/horizontal illumination. The Batwing linear lens provides an exceptional homogeneous distribution of light over horizontal surfaces, ideal for office spaces. The Elliptical Narrow Lens scores a very high output, making it ideal for high ceiling lighting applications. The L6 Lightway symmetrical baffles are designed to offer a low glare ambient lighting. Optimal for office Lighting and other spaces requiring low surface and source luminance.



Environment

I: Indoor

Mounting

PB: Pendant
WB: Wall Mounted

Optic

AO: Opal
AD: Diamond prism
AL: Batwing Distribution
GL: Elliptical narrow
AB: Black Symmetric Baffles
AW: White Symmetric Baffles
AG: Grey Symmetric Baffles

Beam

00: N/A
16: 16°
30: 30°
45: 45°
E2: 15°+36°

CCT

827: 2700K, CRI +80
830: 3000K, CRI +80
835: 3500K, CRI +80
840: 4000K, CRI +80
927: 2700K, CRI +90
930: 3000K, CRI +90
9TW: 2,200K - 5000K
8WD: 1800K - 2780K

Direct Optic / Output

(initial lumen)
Refer to page 3 for the exact delivered lumen of each optic

ELLIPTICAL NARROW

L2: 5W/ft, 550 lm/ft
L3: 7W/ft, 750 lm/ft
L4: 9W/ft, 1085 lm/ft
L5: 13W/ft, 1510 lm/ft
T1: 3W/ft, 320 lm/ft
T2: 5W/ft, 510 lm/ft
T3: 7W/ft, 730 lm/ft
P1: 6W/ft., 450lm/ft.
P2: 9W/ft., 321lm/ft.
P3: 13W/ft., 800lm/ft.

Control gear

P: NON DIM / ECG
Q: 0 TO 10 DIM
R: *DALI
S: *2 Wires Phase Dimming
T: *DMX
*This driver option is only available integral for fixtures 24" and longer

Indirect Optic / Output

O1: Opal 5W/ft, 475 lm/ft
O2: Opal 7W/ft, 660 lm/ft
O3: Opal 9W/ft, 950 lm/ft
B1: Batwing 5W/ft, 597 lm/ft
B2: Batwing 7W/ft, 830 lm/ft
B3: Batwing 9W/ft, 1175 lm/ft

Emergency

N: No emergency

Body finish

BS: Black Smooth
BT: Black Textured
WS: White Smooth
WT: White Textured
GS: Grey Smooth
XX: Custom RAL

Layout

I: I shape

Length

12: 12"
24: 23³/₄"
36: 35"
48: 46¹/₂"
60: 58¹/₈"
C00: Custom
For custom length, please note length in inches
These are rounded values, please refer to installation manual for exact dimensions.

Wiring

I: Individual
B: Beginning
M: Middle
E: End

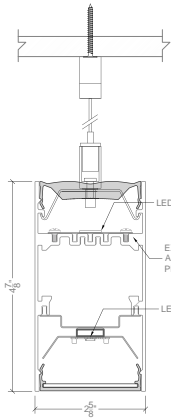
We reserve the right to make technical changes without prior notice.

H6 LIGHTWAY - PENDANT

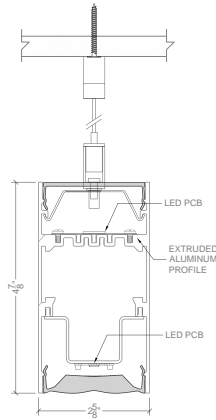


2D DIMENSIONAL DIAGRAMS

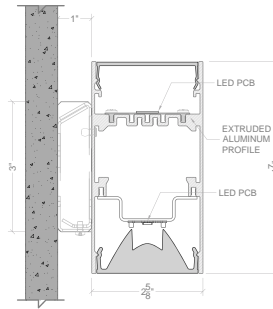
Opal direct / Batwing indirect



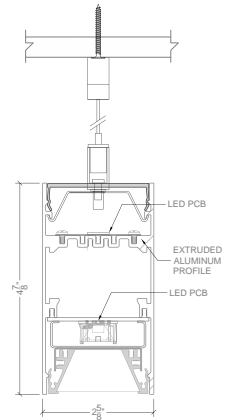
Batwing direct / Opal indirect



Elliptical Narrow direct / Opal indirect

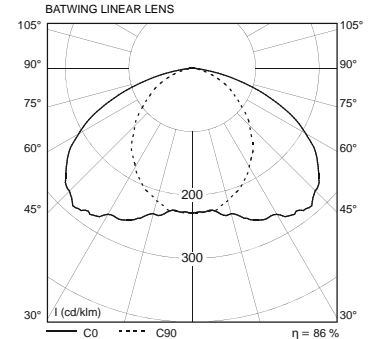
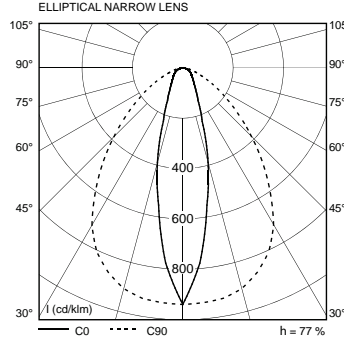
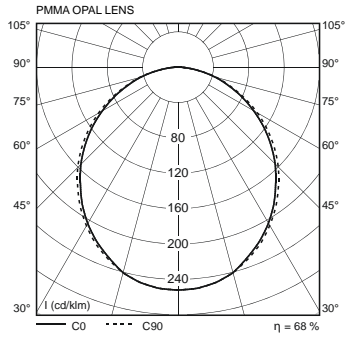


Symmetric Baffles direct / Opal Indirect

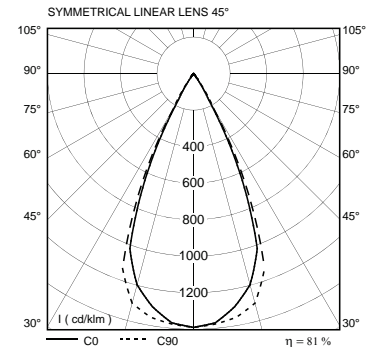
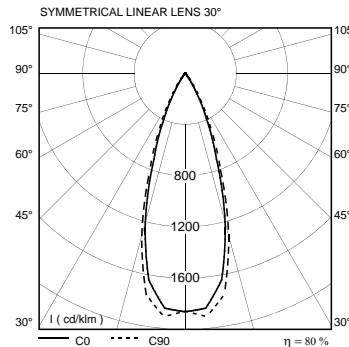
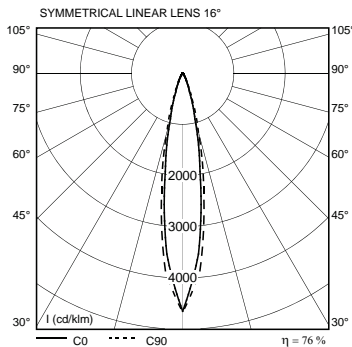


PHOTOMETRIC DATA

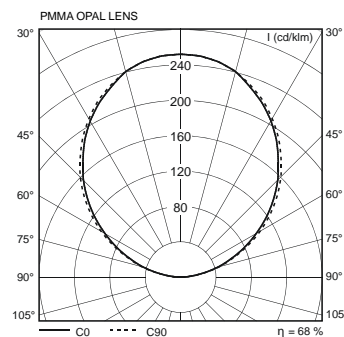
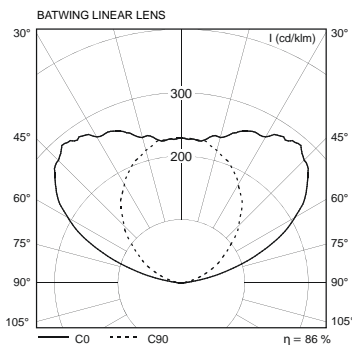
DIRECT OPTICS



DIRECT OPTICS



INDIRECT OPTICS



We reserve the right to make technical changes without prior notice.



H6 LIGHTWAY - PENDANT

PHOTOMETRIC DATA

DIRECT OPTICS

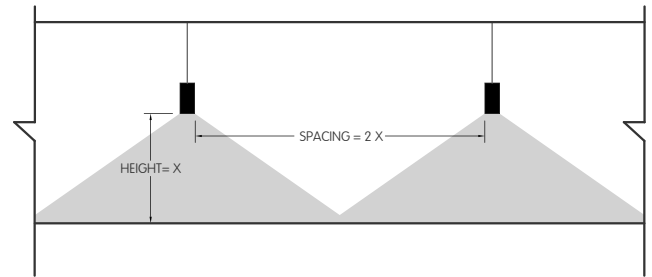
| | CCT | Output Level | Wattage | DIAMOND | | | ELLIPTICAL | |
|---------------|-------|--------------|---------|------------|------------|------------|------------|--|
| | | | | OPAL | PRISM | NARROW | ASYMMETRIC | |
| LINEAR LENSES | 2,700 | L2 | 5 W/ft | 475 Lm/ft | 490 Lm/ft | 520 Lm/ft | 520 Lm/ft | |
| | | L3 | 7 W/ft | 660 Lm/ft | 660 Lm/ft | 720 Lm/ft | 700 Lm/ft | |
| | | L4 | 9 W/ft | 950 Lm/ft | 950 Lm/ft | 1025 Lm/ft | 1000 Lm/ft | |
| | | L5 | 13 W/ft | 1300 Lm/ft | 1330 Lm/ft | 1450 Lm/ft | 1400 Lm/ft | |
| | 3,000 | L2 | 5 W/ft | 505 Lm/ft | 510 Lm/ft | 550 Lm/ft | 540 Lm/ft | |
| | | L3 | 7 W/ft | 705 Lm/ft | 690 Lm/ft | 750 Lm/ft | 750 Lm/ft | |
| | | L4 | 9 W/ft | 1000 Lm/ft | 975 Lm/ft | 1085 Lm/ft | 1075 Lm/ft | |
| | | L5 | 13 W/ft | 1410 Lm/ft | 1375 Lm/ft | 1510 Lm/ft | 1500 Lm/ft | |
| | 4,000 | L2 | 5 W/ft | 520 Lm/ft | 520 Lm/ft | 575 Lm/ft | 575 Lm/ft | |
| | | L3 | 7 W/ft | 705 Lm/ft | 725 Lm/ft | 780 Lm/ft | 775 Lm/ft | |
| | | L4 | 9 W/ft | 1010 Lm/ft | 1050 Lm/ft | 1115 Lm/ft | 1100 Lm/ft | |
| | | L5 | 13 W/ft | 1425 Lm/ft | 1450 Lm/ft | 1560 Lm/ft | 1550 Lm/ft | |

| | CCT | Output Level | CRI 80 | | | |
|-------------------|-----|--------------|-----------|-----------|-----------|-----------|
| | | | 2700K | 3000K | 3500K | 4000 K |
| SYMMETRIC BAFFLES | P1 | 6 W/ft | 473 Lm/ft | 442 Lm/ft | 480 Lm/ft | 519 Lm/ft |
| | P2 | 9 W/ft | 656 Lm/ft | 610 Lm/ft | 656 Lm/ft | 717 Lm/ft |
| | P3 | 13 W/ft | 763 Lm/ft | 808 Lm/ft | 854 Lm/ft | 946 Lm/ft |

INDIRECT OPTICS

| | CCT | Output Level | Wattage | BATWING | |
|---------------|---------|--------------|-----------|------------|------------|
| | | | | OPAL | BATWING |
| LINEAR LENSES | 2,700 | O1 - B1 | 5 W/ft | 475 Lm/ft | 597 Lm/ft |
| | | O2 - B2 | 7 W/ft | 660 Lm/ft | 829 Lm/ft |
| | | O3 - B3 | 9 W/ft | 950 Lm/ft | 1176 Lm/ft |
| 3,000 | O1 - B1 | 5 W/ft | 505 Lm/ft | 636 Lm/ft | |
| | | O2 - B2 | 7 W/ft | 705 Lm/ft | 887 Lm/ft |
| | | O3 - B3 | 9 W/ft | 1000 Lm/ft | 1253 Lm/ft |
| 3,500 | O1 - B1 | 5 W/ft | 510 Lm/ft | 646 Lm/ft | |
| | | O2 - B2 | 7 W/ft | 705 Lm/ft | 887 Lm/ft |
| | | O3 - B3 | 9 W/ft | 1000 Lm/ft | 1262 Lm/ft |
| 4,000 | O1 - B1 | 5 W/ft | 520 Lm/ft | 655 Lm/ft | |
| | | O2 - B2 | 7 W/ft | 705 Lm/ft | 887 Lm/ft |
| | | O3 - B3 | 9 W/ft | 1010 Lm/ft | 1272 Lm/ft |

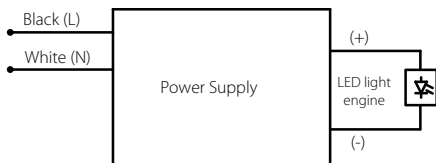
BATWING OPTIC FIXTURE SPACING RECOMMENDATION



In Order to achieve an optimal uniformity, greater than 0.5 (E_{min} / E_{max}), always use a spacing of no more than 2 x the Height "X" "X" being the height from the lens face to the illuminated surface.

ELECTRICAL

NON DIM / ECG



1 To 10V DIM / DALI DIM



We reserve the right to make technical changes without prior notice.